



Rear Discharge Tenders

10FT Truck Mounted

Home of Worldwide Quality Blending, Conveying, Tending, & Spreading Products!



**Powder Coated
#409 Stainless
Steel, Hopper**

**10" Stainless
Steel
Tube with
Stainless Steel
Flighted Auger**

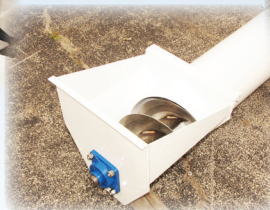
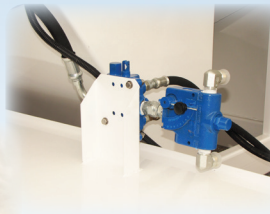


**Single
Hopper
Twin Compart-
ment Design**

**Fertilizer Auger
Tender**

**Hydraulically
Operated**

Truck Mounted



Doyle Equipment Mfg. Co., Inc.

4001 Broadway, P.O. Box 3024, Quincy, IL 62305

Toll Free: 800-788-8085 Fax: 217-223-3655

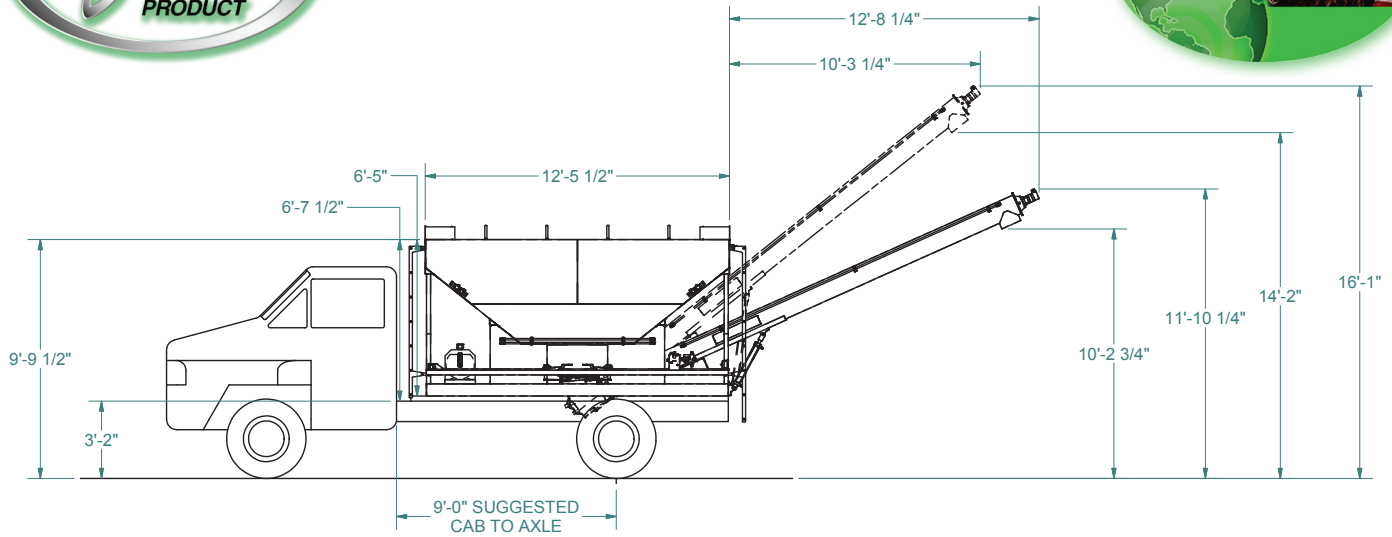
E-mail: doyle@doylemfg.com Web Site: www.doylemfg.com





Capacity

Hopper Capacity (water level)....330 cu.ft.

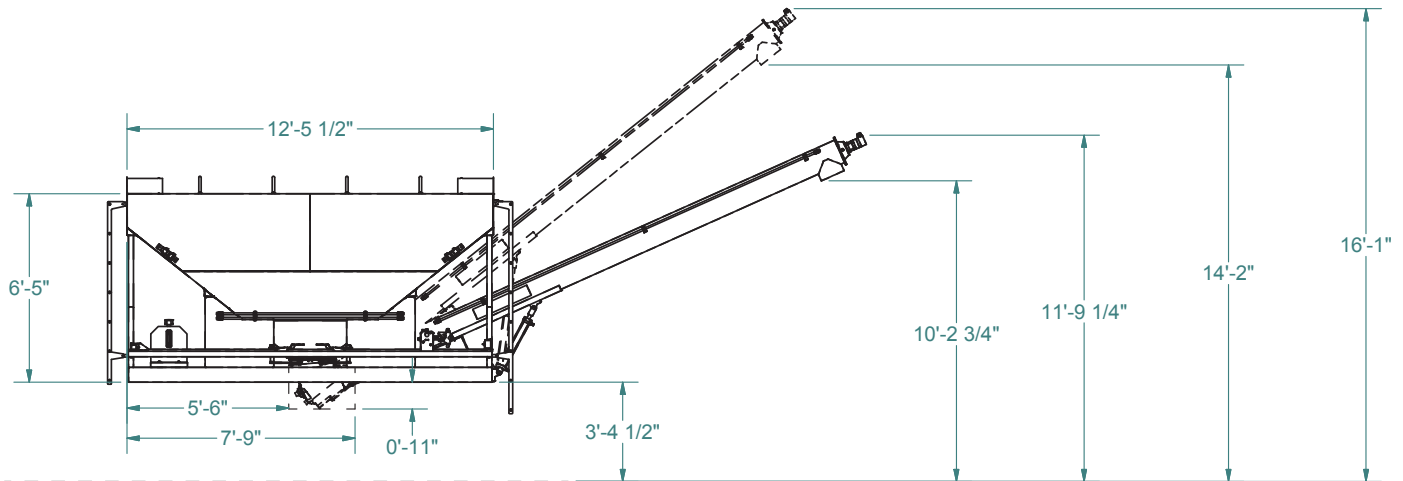


HOPPER DIMENSIONS

Hopper length..... 12.46 ft. (3.79 m)
 Hopper width..... 8 ft. (2.44 m)

AUGER SPECS

Tube size..... 10 in. (254 mm)
 Discharge rate..... 3,500 lbs./min.... (1,588 kg/min.)
 Discharge height (maximum)..... 14.1666 ft.(4.32 m)
 Discharge height (minimum)..... 10.2291 ft.(3.12 m)
 Auger length..... 20 ft. (6.09 m)



Standard Features:

- (2) 165 cu.ft. compartments in 12 ga. 409 stainless steel, all metal shot blasted and powder coated bright white
- 10" x 12 ga. 409 stainless steel auger tube, and augers with SS flighting
- Heavy duty mild steel square tubing main frame
- Stainless steel manually operated slide gates
- Hydraulic pump, cylinders, lines, hoses, and fittings
- Roll tarp with stainless steel end caps
- D.O.T. approved lights, tail and marker
- Factory assembled & tested

For a Complete List of Features & Options, Check out Our Website:

www.doylemfg.com